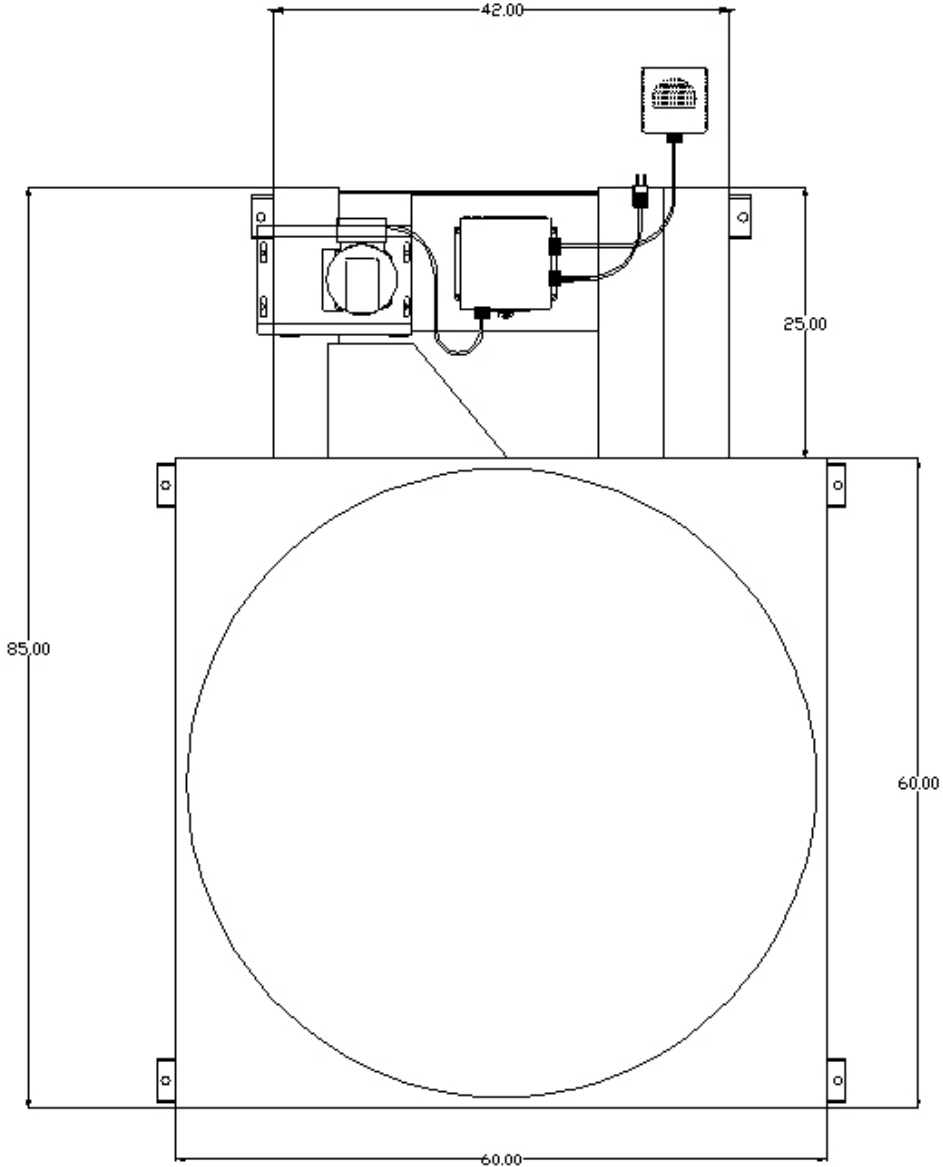


SYNERGY HEAVY DUTY LOW PROFILE TURNTABLE



STANDARD SYSTEM SPECIFICATIONS*

- Turntable Drive Motor..... 3/4 HP AC
- Turntable Speed..... Adjustable to 12 RPM
- Standard Capacity..... 5,000 Pounds
- Standard Machine
- Shipping Dimensions..... 67" W, 100" L, 24" H
- Standard Machine Shipping Weight 845 Pounds

* Specifications subject to change without notice.

